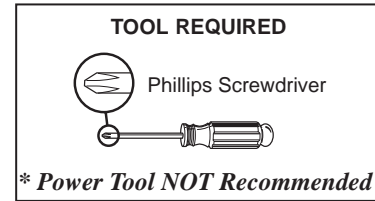
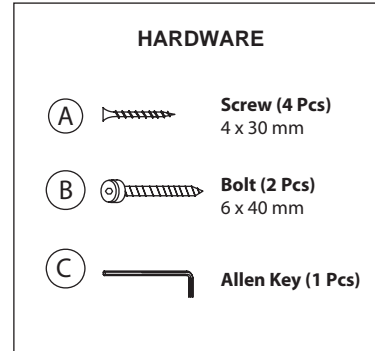
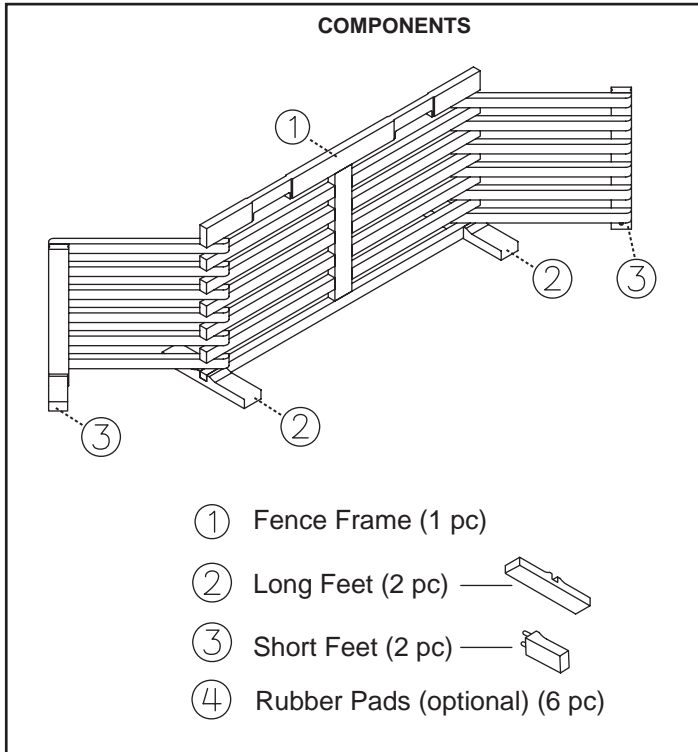


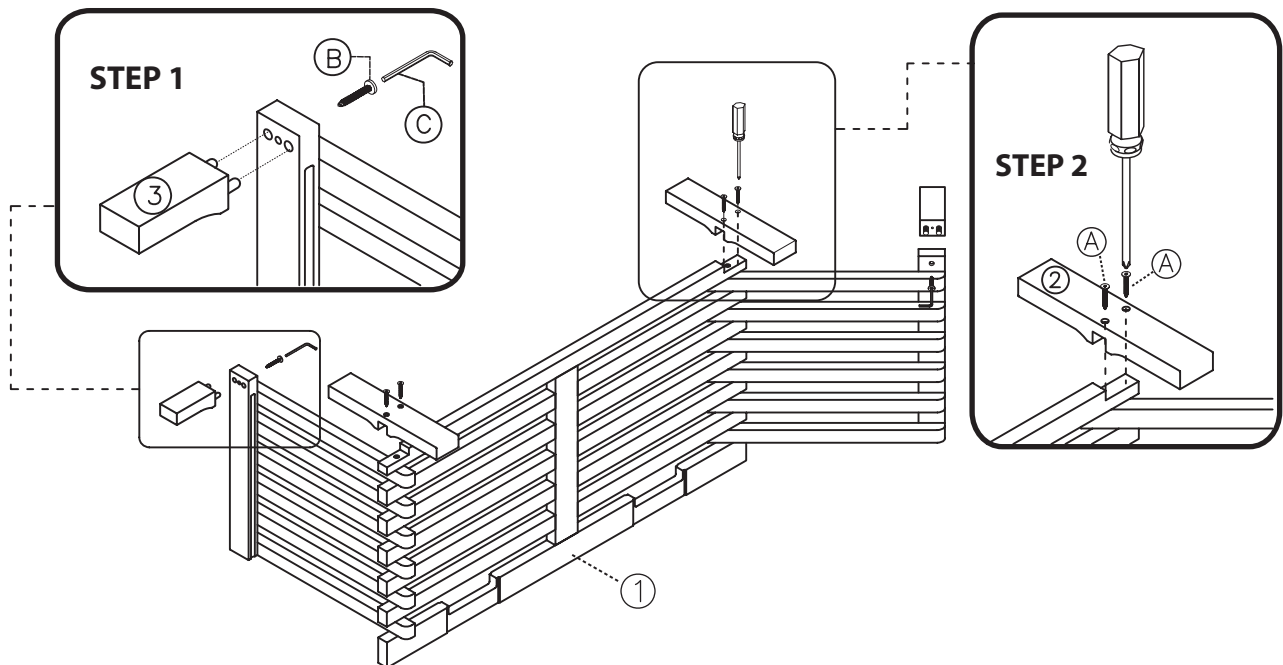
MPS009 GATE-N-CRATE™

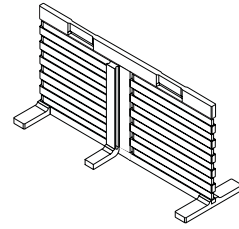
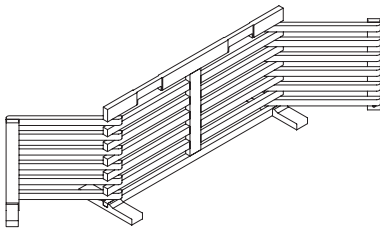
Your feedback is important to us. If you have any questions or comments, please email info@merryproducts.com.



NOTE:

- * Read all instructions before starting
- * Assemble on rug or cardboard to prevent scratches to the floor and product.





MPS009 GATE-N-CRATE™

Your feedback is important to us. If you have any questions or comments, please email info@merryproducts.com.

TROUBLESHOOTING

Ball-bearings do not catch; panels swing open easily

Remove the long feet (Part 2) and tighten the nut at the end of the pin hinge that runs through all of the panel slats.

SAFETY WARNING

This item is not designed or intended to be used as a child safety gate. Please take the proper precautions when used around young children.