



INSTRUCTION MANUAL

Pet Stairs PG9710



⌋ WARNING

- For use by small pets only
- Maximum weight 150 pounds
- Do not use as step stool
- Not for use by children
- Not a toy
- Do not jump on steps
- For indoor use only



PARTS



1 Left Panel Part (A)



1 Right Panel Part (B)



2 Part (C)



1 Part (D)



1 Top Stair Part (E)

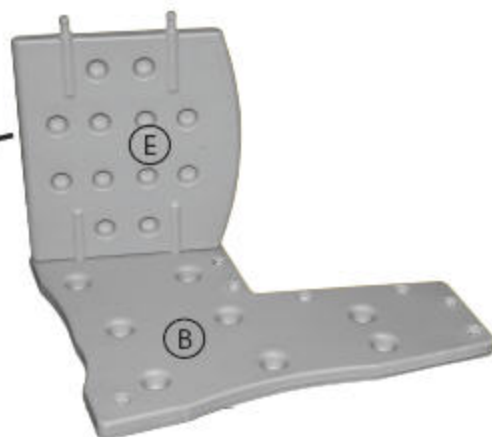


1 Bottom Stair Part (F)

Step 1

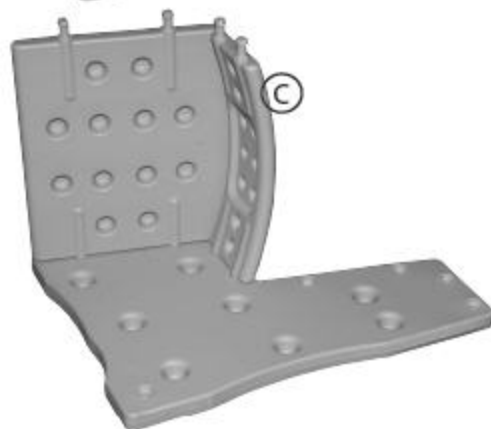
Place right panel part (B) on floor with PET GEAR Logo facing the floor and insert Part E. Keep the **straight edge** toward the back and rug facing the top. Make sure there is no gap between parts after inserting.

(If inserting part is difficult put a little dish soap on doveled end before inserting)



Step 2

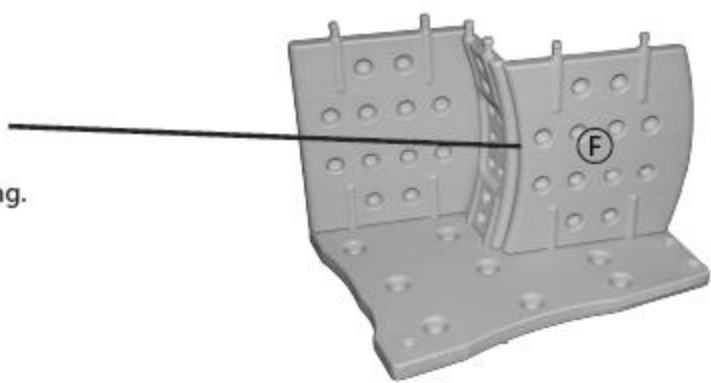
Insert part (C).
Make sure there is no gap between parts after inserting.



Step 3

Insert bottom step part (F). Note the **CURVED SIDE** direction.

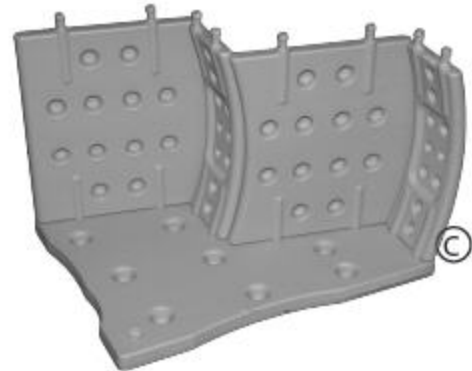
Make sure there is no gap between parts after inserting.



Step 4

Insert another part (C).

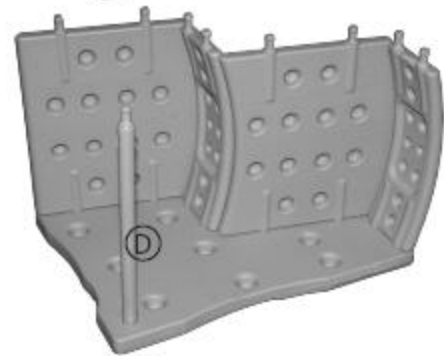
Make sure there is no gap between parts after inserting.



Step 5

Insert part (D).

Make sure there is no gap between parts after inserting.



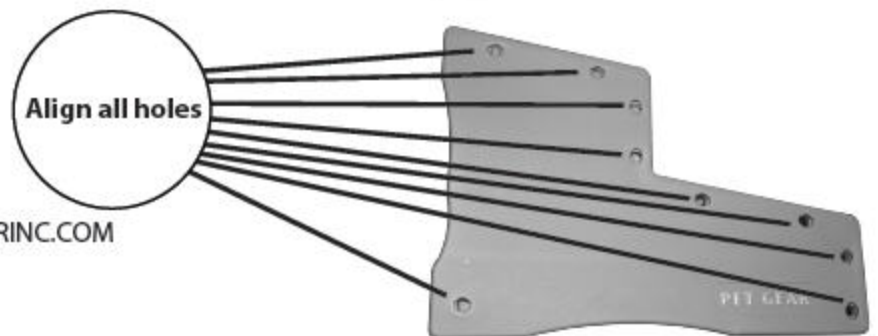
Step 6

Attach left panel part (A). Align all holes before pushing panel down.

Make sure there is no gap between parts after inserting.



Align all holes



Comments or Questions

Please contact us at WWW.PETGEARINC.COM

or call 1-877-752-9123